

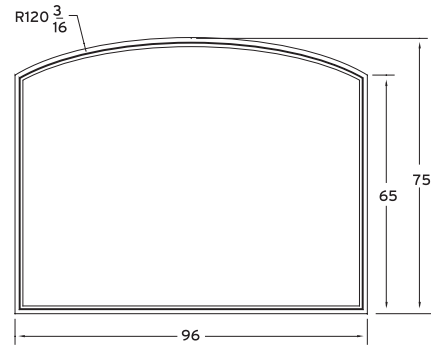
**NEW MORNING WINDOWS - TEST DATA**  
**FIXED WINDOWS**

**WINDOW SPECIFICATIONS**

- Aluminum Clad Wood Frame
- Direct Set
- Wet Glazed

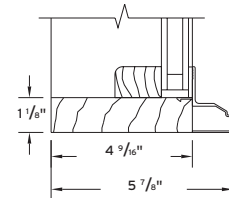
**TEST SPECIFICATIONS**

- AAMA/NWWDA 101/I.S.



**STRUCTURAL TEST REPORT SUMMARY**

<b>Title of Test</b>	<b>RESULTS</b>
<b>Rating</b>	F-LC60 (96" x 75")
<b>Overall Design Pressure</b>	60 psf (155 mph)
<b>Air Infiltration</b>	<0.01 cfm/ft <sup>2</sup>
<b>Water Resistance</b>	12 psf
<b>Structural Pressure</b>	+ or - 90 psf (190 mph)



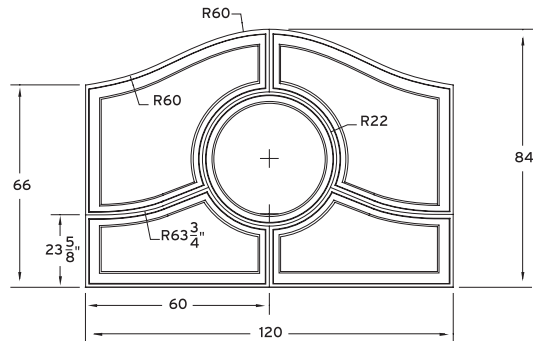
(Reference should be made to Report No. 02-33346.01 for complete test specimen description and data.)

**WINDOW SPECIFICATIONS**

- Aluminum Clad Wood Frame
- Sash Set
- Structural Authentic Divided Lite Mullion
- Wet Glazed

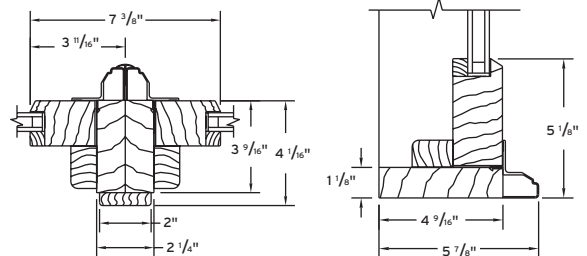
**TEST SPECIFICATIONS**

- ANSI/AAMA101/NWWDA 101/I.S.



**STRUCTURAL TEST REPORT SUMMARY**

<b>Title of Test</b>	<b>RESULTS</b>
<b>Rating</b>	F-LC640 (120" x 84")
<b>Overall Design Pressure</b>	40 psf (127 mph)
<b>Air Infiltration</b>	<0.01 cfm/ft <sup>2</sup>
<b>Water Resistance</b>	12 psf
<b>Structural Pressure</b>	+ or - 60 psf (155 mph)

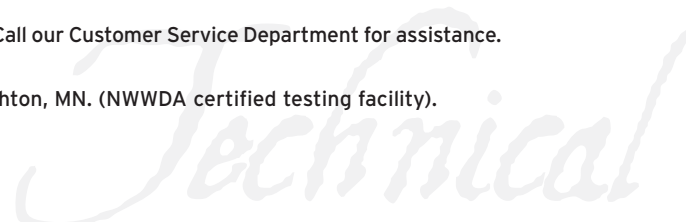


(Reference should be made to Report No. 02-33628 for complete test specimen description and data.)

**NOTES** Complete test results are available (see report numbers above). Call our Customer Service Department for assistance.

Test data on a 60+ sq. ft. unit available upon request.

Window testing is completed at Architectural Testing Inc., in New Brighton, MN. (NWWDA certified testing facility).



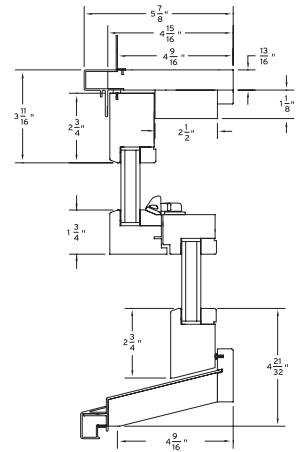
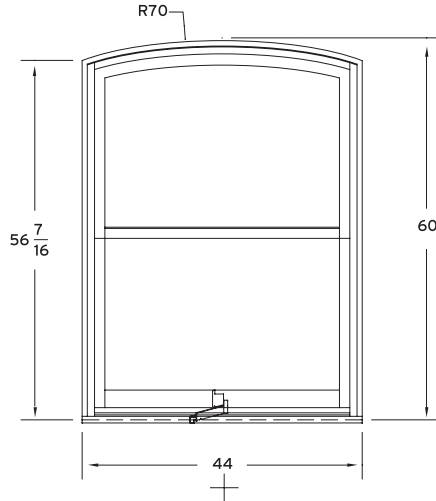
**NEW MORNING WINDOWS- TEST DATA**  
**OPERABLE WINDOWS**

**WINDOW SPECIFICATIONS**

- Aluminum Clad Wood Frame
- Wood Painted Sashes
- Wet Glazed
- Bulb Weatherstrip

**TEST SPECIFICATIONS**

- AAMA/NWDA 101/I.S.



**STRUCTURAL TEST REPORT SUMMARY**

<b>Title of Test</b>	<b>RESULTS</b>
<b>Rating</b>	H-R35 (44 x 60)
<b>Overall Design Pressure</b>	35 psf ( 119 mph)
<b>Air Infiltration</b>	0.28 cfm/ft <sup>2</sup>
<b>Water Resistance</b>	5.25 psf
<b>Structural Test Pressure</b>	+ or - 52.5 psf (145 mph)
<b>Forced Entry Resistance</b>	Pass Level 10

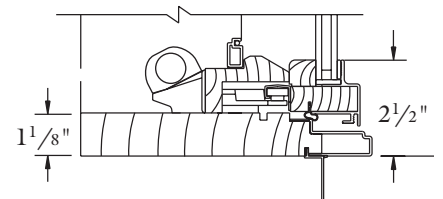
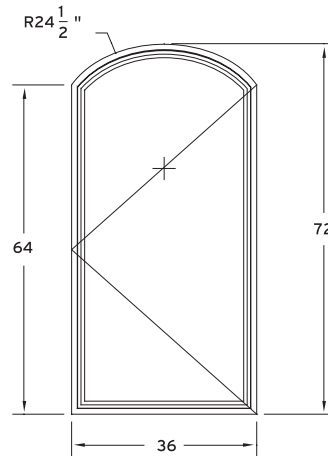
(Reference should be made to Report No. 02-31946.01 for complete test specimen description and data.)

**WINDOW SPECIFICATIONS**

- Aluminum Clad Wood Frame (Casement)
- Aluminum Clad Sash
- Wet Glazed
- Bulb and Leaf Weatherstrip

**TEST SPECIFICATIONS**

- ASTM E 283-91/E547-93/E330-06



**STRUCTURAL TEST REPORT SUMMARY**

<b>Title of Test</b>	<b>RESULTS</b>
<b>Overall Design Pressure</b>	40 psf ( 127 mph)
<b>Air Infiltration</b>	0.01 cfm/ft <sup>2</sup>
<b>Water Resistance</b>	10.5 psf
<b>Structural Test Pressure</b>	+ or - 60 psf (155 mph)

(Reference should be made to Report No. 02-30795.02 for complete test specimen description and data.)

**NOTES** Complete test results are available (see report numbers above). Call our Customer Service Department for assistance.

Window testing is completed at Architectural Testing Inc., in New Brighton, MN. (NWDA certified testing facility.)