

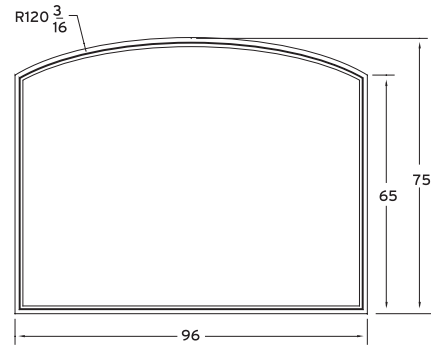
**NEW MORNING WINDOWS- TEST DATA**  
**FIXED WINDOWS**

**WINDOW SPECIFICATIONS**

- Aluminum Clad Wood Frame
- Direct Set
- Wet Glazed

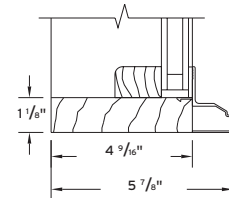
**TEST SPECIFICATIONS**

- AAMA/NWWDA 101/I.S.



**STRUCTURAL TEST REPORT SUMMARY**

<b>Title of Test</b>	<b>RESULTS</b>
<b>Rating</b>	F-LC60 (96" x 75")
<b>Overall Design Pressure</b>	60 psf (155 mph)
<b>Air Infiltration</b>	<0.01 cfm/ft <sup>2</sup>
<b>Water Resistance</b>	12 psf
<b>Structural Pressure</b>	+ or - 90 psf (190 mph)



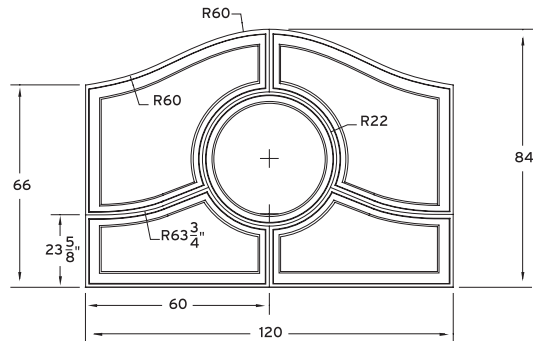
(Reference should be made to Report No. 02-33346.01 for complete test specimen description and data.)

**WINDOW SPECIFICATIONS**

- Aluminum Clad Wood Frame
- Sash Set
- Structural Authentic Divided Lite Mullion
- Wet Glazed

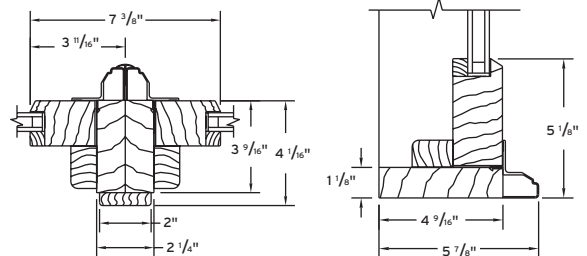
**TEST SPECIFICATIONS**

- ANSI/AAMA101/NWWDA 101/I.S.



**STRUCTURAL TEST REPORT SUMMARY**

<b>Title of Test</b>	<b>RESULTS</b>
<b>Rating</b>	F-LC640 (120" x 84")
<b>Overall Design Pressure</b>	40 psf (127 mph)
<b>Air Infiltration</b>	<0.01 cfm/ft <sup>2</sup>
<b>Water Resistance</b>	12 psf
<b>Structural Pressure</b>	+ or - 60 psf (155 mph)



(Reference should be made to Report No. 02-33628 for complete test specimen description and data.)

**NOTES** Complete test results are available (see report numbers above). Call our Customer Service Department for assistance.

Test data on a 60+ sq. ft. unit available upon request.

Window testing is completed at Architectural Testing Inc., in New Brighton, MN. (NWWDA certified testing facility).

