

DESIGN COMMERCIAL PROFILE

Complementary Design	Pella® Windows		
Exterior Cladding Material	Hollow Aluminum (Painted to AAMA 2603 Standards)		
Cladding Thickness	.090"		
Colors Available	Bright White / Dark Brown / Tan / Custom Colors		
Min./Max. Radii Available	Min. 16"	Max. Unlimited	(as measured from outside of frame)
Min./Max. Jamb Depth Available	Min. 3"	Max. 14"	(as measured from back of nailing flange)
Minimum Leg Height Available	3½"		
Largest Single-Lite (Glazed) Unit Size Available	60 sq. ft.	(as measured from outside of frame)	
Recommended Rough Opening	Add ½" to outside frame width and height dimensions		

NOTES Interior unfinished or factory-prefinished (white only).

Some glazing alternatives are not available in a 60 sq. ft. frame. Open frames (no glass) can be manufactured in sizes greater than 60 sq. ft. New Morning Windows reserves the right to void our product warranty on certain sizes and shapes of open window frames. The company purchasing the frame with a voided warranty will be notified in writing. Call our Customer Service Department for exact availability and details.

Higher performance rated exterior paint finishing is available to meet specific building requirements. Contact our Customer Service Department for details.

Commercial clad jamb material, including glazing stop, is available in 14 ft. lengths.

Specifications

See window construction details in the Technical section.

Product Options

- Standard colors
- Custom colors
- Insulated and single pane glass
- Assortment of wood types
- Wood removable or applied interior grilles
- Aluminum applied exterior grilles
- Structural authentic divided-lite
- Simulated divided-lite
- AGBG (aluminum grille between the glass)
- More than 20 casing/trim profiles
- Aluminum drip cap
- Aluminum brick mold

NOTES We have the capability to vary jamb depths (from one section of the window frame to another) to make direct mulling and installation easier for the builder.

A combination of window units joined together at the job site may require horizontal or vertical reinforcement.

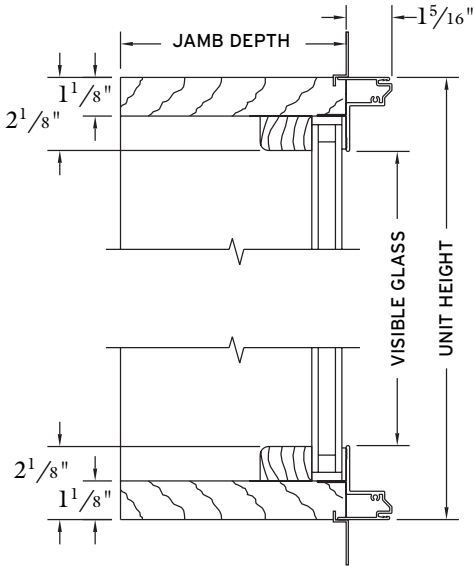
A professional engineer should create the specifications for this reinforcement.

Interior Prefinish Available - White only

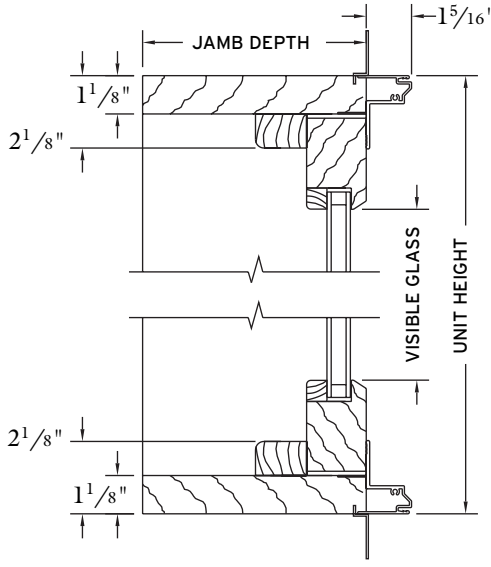
Fixed Windows

DESIGN COMMERCIAL PROFILE

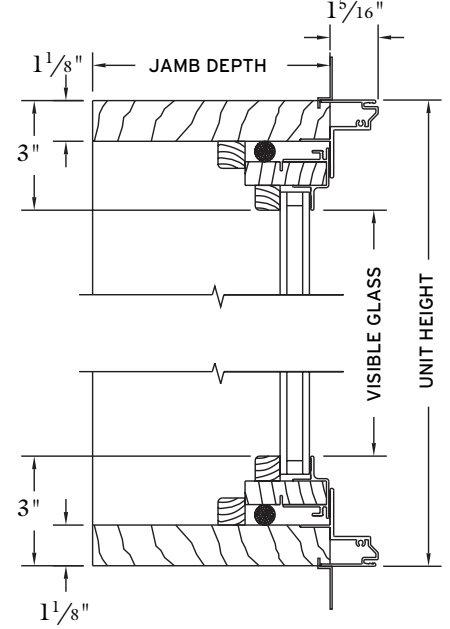
Vertical Section (Direct Set)



Vertical Section (Wood Sash Set)



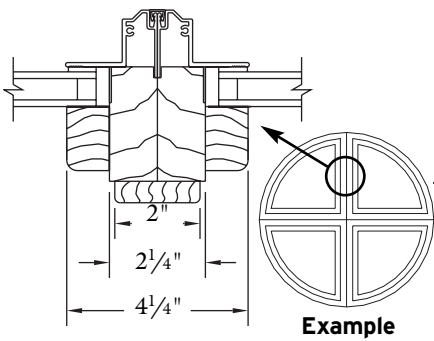
Vertical Section (Clad Sash Set)



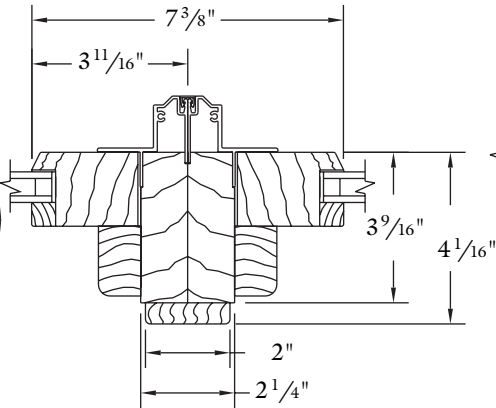
Structural Authentic Divided-Lite Mullion

Offers single window frame construction in multiple lite patterns.
 Why install individual units (see example) when you have the option of installing just one frame?
 Standard mullion width shown below. Custom spreadmullions are available.

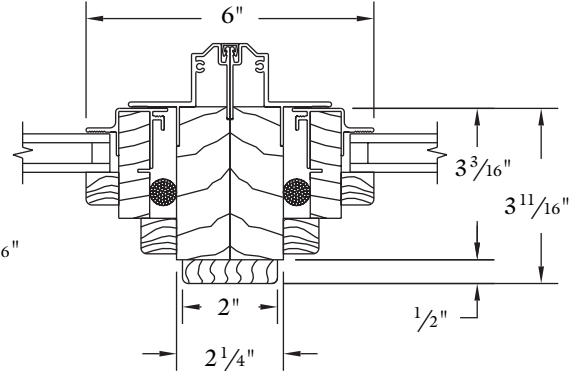
Direct Set



Wood Sash Set



Clad Sash Set



Fixed Windows