

CLASSIC PROFILE	
Complementary Design	Andersen® Windows
Exterior Cladding Material	Hollow Aluminum (Painted to AAMA 2605 Standards)
Cladding Thickness	.050"
Colors Available	White / Terratone® / Sandtone / Forest Green / Custom Colors
Min./Max. Radii Available	Min. 9" Max. Unlimited (as measured from outside of frame)
Min./Max. Jamb Depth Available	Min. 3" Max. 14" (as measured from back of nailing flange)
Minimum Leg Height Available	3"
Largest Single-Lite (Glazed) Unit Size Available	60 sq. ft. (as measured from outside of frame)
Recommended Rough Opening	Add 1/2" to outside frame dimensions
<p>NOTES Interior unfinished or factory-prefinished (white only).</p> <p>Some glazing alternatives are not available in a 60 sq. ft. frame. Open frames (no glass) can be manufactured in sizes greater than 60 sq. ft. New Morning Windows reserves the right to void our product warranty on certain sizes and shapes of open window frames. The company purchasing the frame with a voided warranty will be notified in writing. Call our Customer Service Department for exact availability and details.</p> <p>Please specify if our unit is mulling directly to an Andersen window or door unit. In a direct mull situation we customize our sill and/or side jambs so the builder can use standard Andersen mull kits (purchased through Andersen distributors or dealers). See Vertical Section on following page illustrating sill construction on a unit mullled directly to an Andersen 400-Series unit.</p>	

Specifications

See window construction details in the Technical section.

Product Options

- Standard colors
- Custom colors
- Insulated and single pane glass
- Assortment of wood types
- Wood removable or applied interior grilles
- Aluminum applied exterior grilles
- Structural authentic divided-lite
- Simulated divided-lite
- AGBG (aluminum grille between the glass)
- More than 20 casing/trim profiles
- Aluminum drip cap
- Aluminum brick mold

NOTES We have the capability to vary jamb depths (from one section of the window frame to another) to make direct mulling and installation easier for the builder.

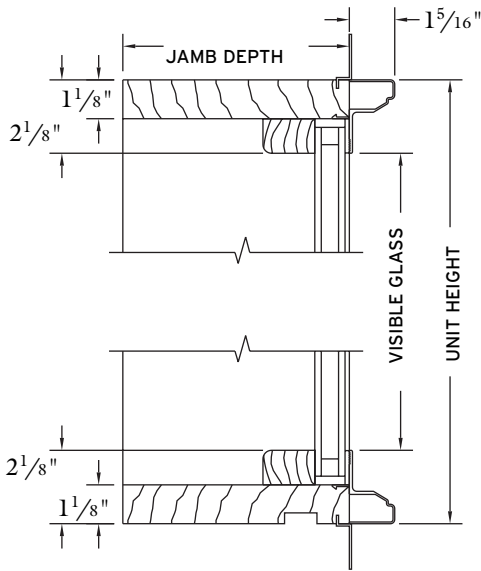
A combination of window units joined together at the job site may require horizontal or vertical reinforcement.

A professional engineer should create the specifications for this reinforcement.

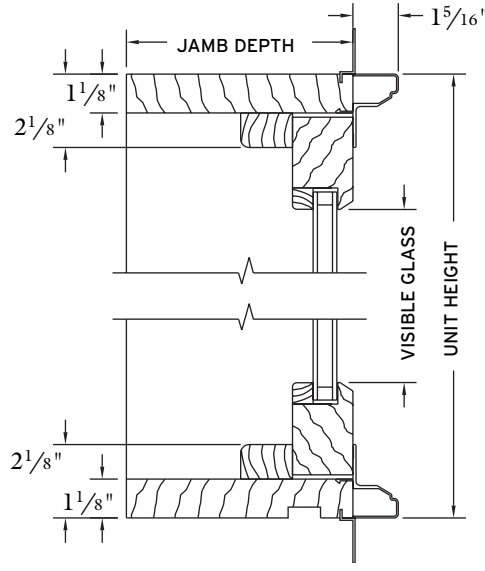
Interior Prefinish Available - White only

CLASSIC PROFILE

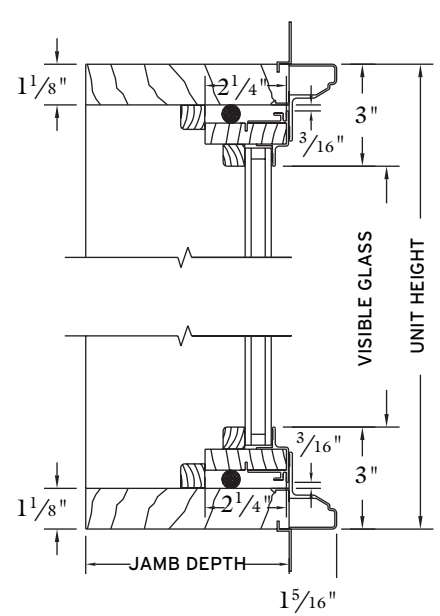
Vertical Section (Direct Set)



Vertical Section (Wood Sash Set)



Vertical Section (Clad Sash Set)



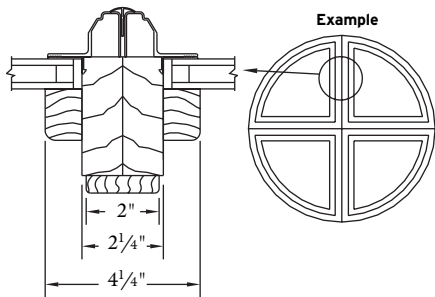
Structural Authentic Divided-Lite Mullion

Offers single window frame construction in multiple lite patterns.

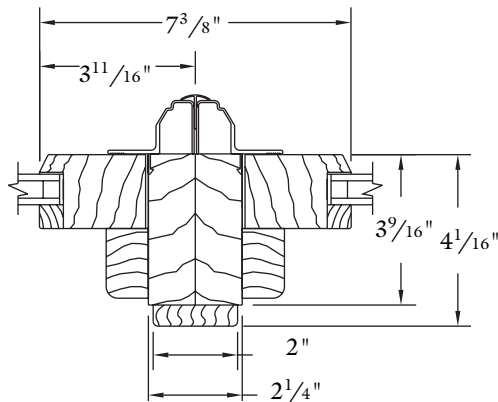
Why install individual units (see example) when you have the option of installing just one frame?

Standard mullion width shown below. Custom spreadmullions are available.

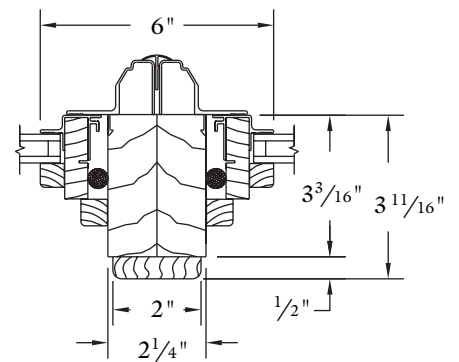
(Direct Set)



(Wood Sash Set)



(Clad Sash Set)



Fixed Windows