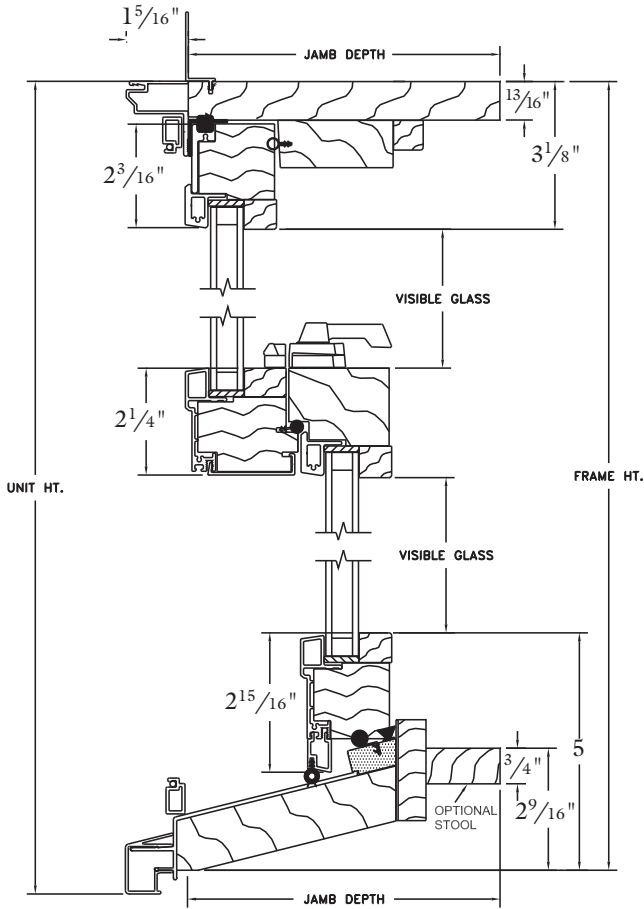




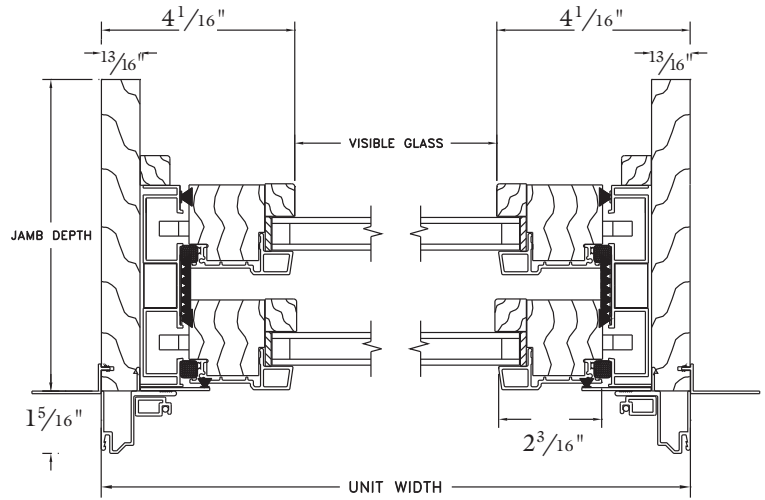
CUSTOM HUNG UNITS

CLAD DOUBLE-HUNG PROFILE

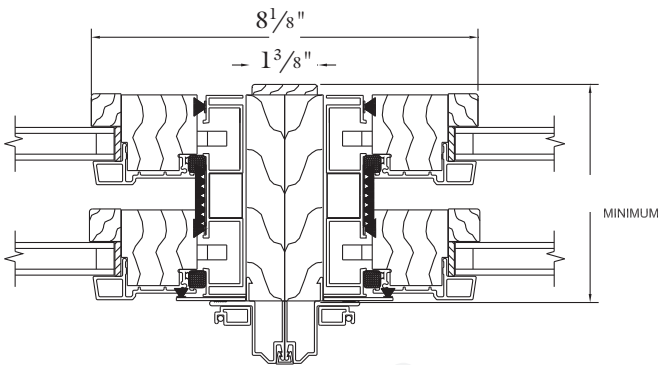
Vertical Section



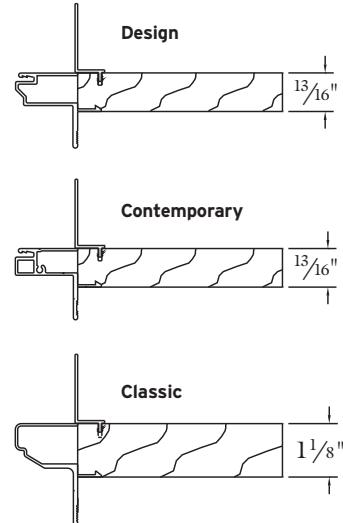
Horizontal Section



Mullion Section



Frame Cladding Profile Options



*Operable Windows*