

CUSTOM CASEMENT UNITS		
Complementary Design	General Industry	
Exterior Cladding Material	Aluminum (Painted to AAMA 2605 Standards)	
Cladding Thickness	FRAME .065"	SASH .065"
Colors Available	White / Terratone® / Sandtone / Forest Green / Bright White / Tan / Custom Colors	
Min./Max. Radii Available	Min. 12"	Max. Unlimited (as measured from outside of frame)
Min./Max. Jamb Depth Available	Min. 3 1/16"	Max. 14" (as measured from back of nailing flange)
Maximum Unit Size Available	32" wide by 72" high	Min. Unit Width Available: 17"
Recommended Rough Opening	Add a 1/2" to outside frame width and height dimensions	
<p>NOTE Interior unfinished or factory-prefinished (white only).</p> <p>*Nail fin positioning can be factory modified to align with other manufacturers' units. Dimensional range is 1-1/16" through 1-5/16" (as shown on drawing).</p>		

Specifications:

See window construction details in Technical section.

Product Options

- Standard colors
- Custom colors
- Insulated and single pane glass
- Assortment of wood types
- Wood removable or applied interior grilles
- Aluminum applied exterior grilles
- Authentic divided-lite
- Simulated divided-lite
- AGBG (aluminum grille between the glass)
- More than 20 casing/trim profiles
- Aluminum drip cap

NOTES All-wood casement units are available.

Authentic divided-lite is only available in all-wood units.

A combination of window units joined together at the job site may require horizontal or vertical reinforcement. A professional engineer should create the specifications for this reinforcement.

Aluminum frame screens (with fiberglass mesh screen material) are available in custom and rectangular shapes.

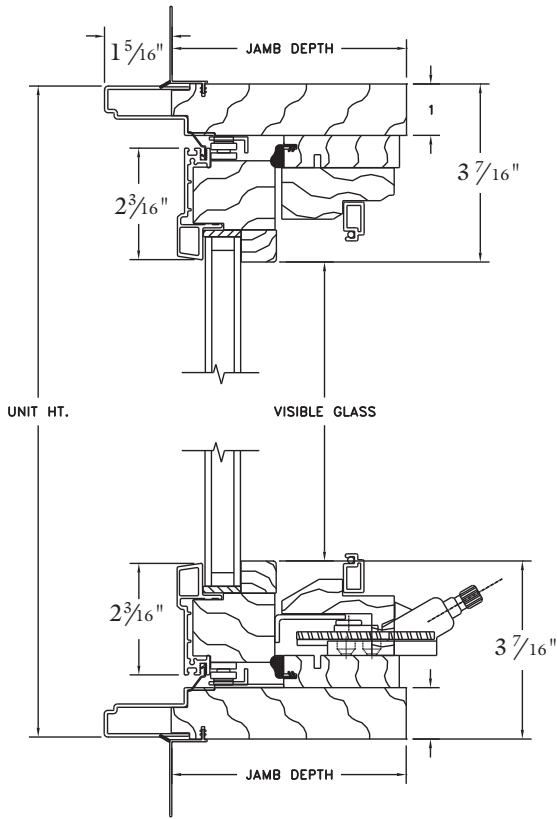
Interior Available - white only



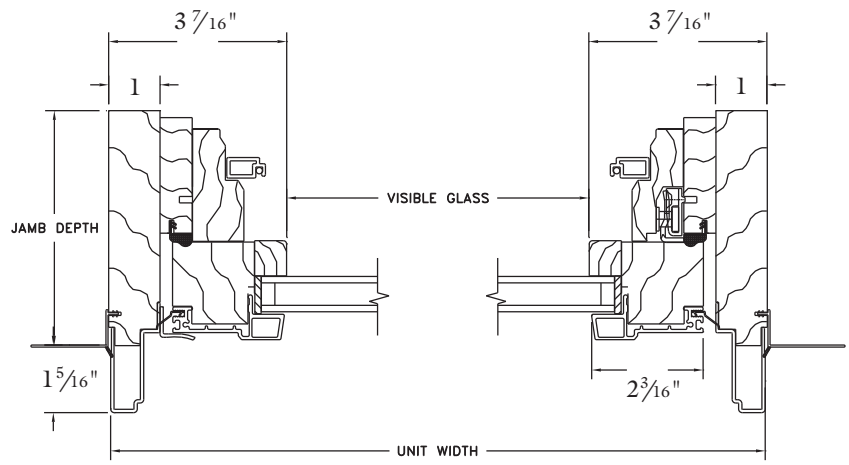
CUSTOM CASEMENT UNITS

CLAD CASEMENT PROFILE

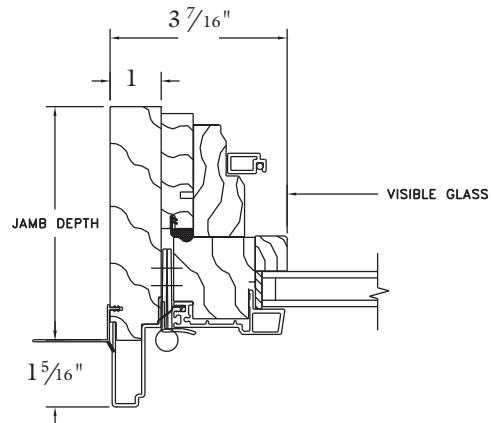
Vertical Section



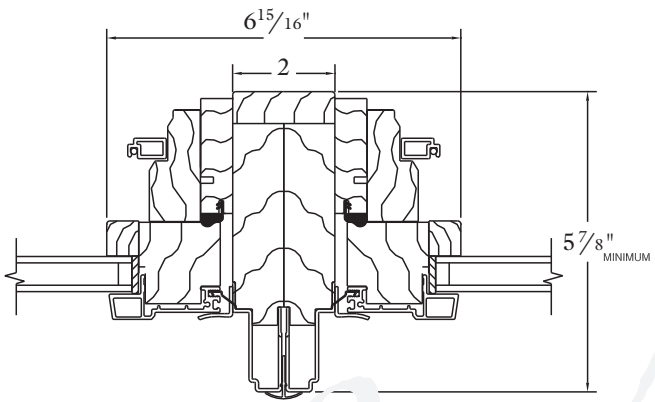
Horizontal Section



Arch-Top Lift Off Hinge



Mullion Section



Operable Windows