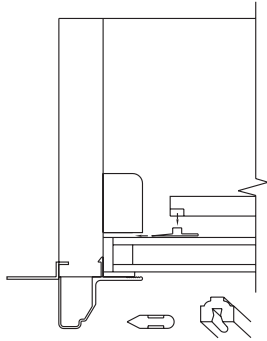


CUSTOM GRILLE OPTIONS

Meeting stringent customer or job-related requirements are necessities in the window industry today. New Morning Windows has the profiles, pattern and installation combinations needed to fulfill any type of job requiring grilles. From graceful colonial to intricate patterns, we are your source for custom crafted grilles.

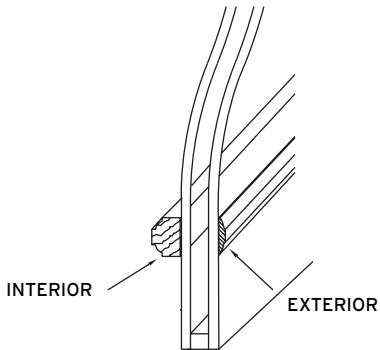
Wood Removable or Applied Interior Grilles



Snap fit

- Snap-fit grille clips are used in all grilles factory installed into New Morning Windows' units
- 3M™ VHB (double-sided) tape is used to secure applied grilles to the glass

2-piece Simulated Divided-Lite: (Interior and Exterior Grille Combination)

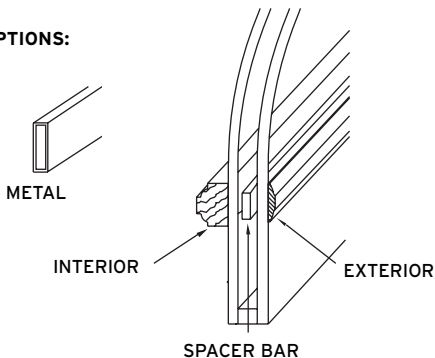


INTERIOR

EXTERIOR

3-piece Simulated Divided-Lite: (Interior, Exterior, and AGBG Combination)

SPACER BAR OPTIONS:



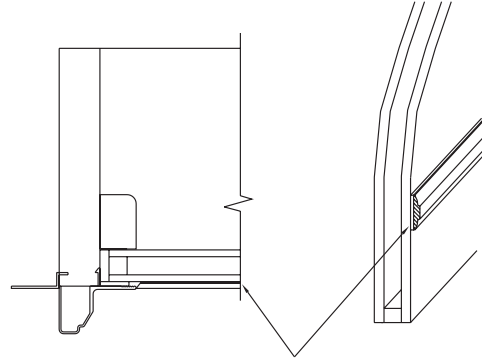
METAL

INTERIOR

EXTERIOR

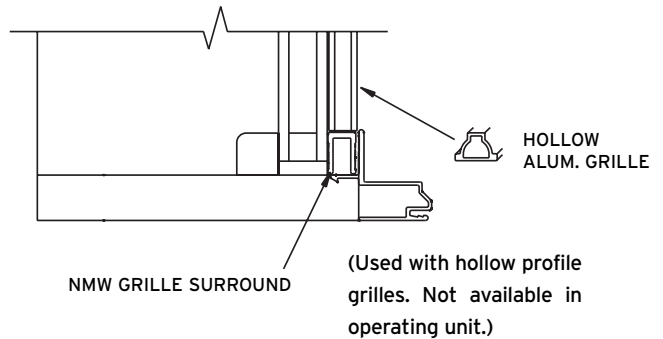
SPACER BAR

Aluminum Applied Exterior Grilles



3M™ VHB (double-sided)
tape applied

Exterior Aluminum Grille Surround



HOLLOW
ALUM. GRILLE

NMW GRILLE SURROUND

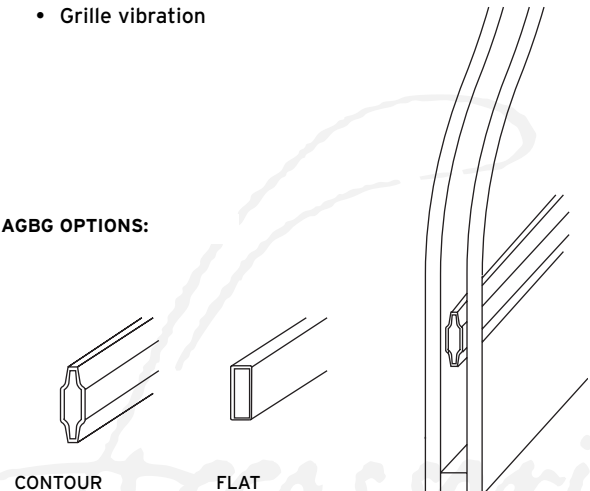
(Used with hollow profile
grilles. Not available in
operating unit.)

Aluminum Grille Between the Glass (AGBG)

Due to (AGBG) manufacturing constraints, the following conditions are not covered under warranty:

- Joint separation less than 1/16"
- Grille vibration

AGBG OPTIONS:



CONTOUR

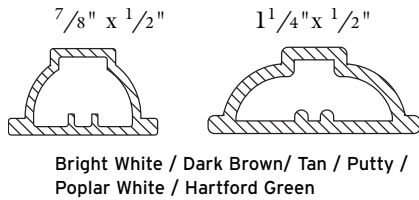
FLAT

CUSTOM EXTERIOR GRILLE & ALUMINUM GRILLE BETWEEN THE GLASS

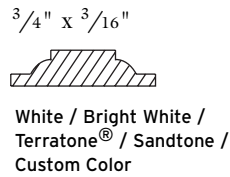
Having the flexibility to create even the most complicated patterns is just one reason customers rely on New Morning Windows for their exterior grille and aluminum grille between the glass (AGBG) needs. Our exterior grille profiles can be applied to our own window units or can be sold as (cut-to-fit) kits for other manufacturers' units. Lineal pieces in either 12' or 6' lengths (tape not applied) are also available in all of our standard profiles. Rolls of grille tape are available. Contact our Customer Service Department for pricing. Aluminum grille between the glass is only available in New Morning units; we do not supply glass only with AGBG for other manufacturers' units.

HOLLOW & SOLID ALUMINUM GRILLE PROFILES

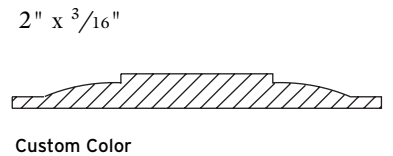
Crown Profiles



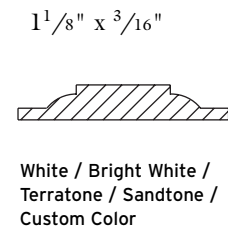
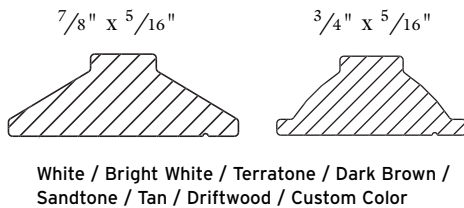
Flat Aluminum Profile



Wide Aluminum Profile



RAISED PROFILES



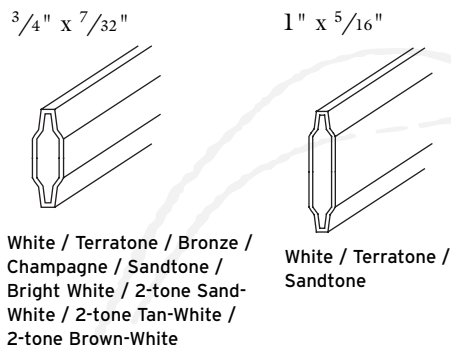
NOTES Grille alignment (with grilles in adjacent units) must be clearly specified at time of order.

Grille heights do not include tape used to adhere it to the glass (add 1/16" for overall height).

Customer is responsible for supplying us with detailed grille sizing and spacing dimensions for exterior grille kits made to fit other manufacturers' units. New Morning Windows is not responsible for exterior grille kits (cut correctly to specified requirements) that do not fit other manufacturers' units to the satisfaction of any interested party.

ALUMINUM GRILLE BETWEEN THE GLASS (AGBG) PROFILES

Contour Profile



Square Profiles

