

## CUSTOM ACCESSORIES

Custom accessories are available for New Morning and other manufacturers' units. We recommend ordering accessories at the time the window order is placed.

**Aluminum Brickmold** provides a decorative touch around the perimeter of the window frame. Call for color options and availability.

**Aluminum Drip Cap** Directs water away from the wall and window frame. Radius and straight pieces are available in standard and custom colors.

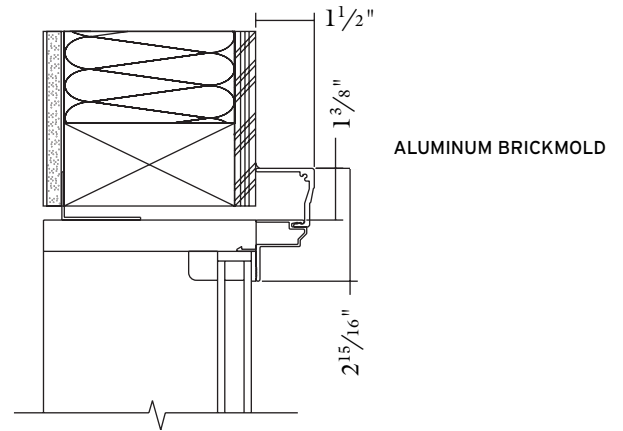
**Exterior Mull Cap** Caps the exterior joint created when a unit is mulled directly to another. Aluminum, vinyl and all-wood caps are available. Radius and straight pieces are available in standard and custom colors.

**Interior Mull Cap** Caps the interior joint created when a unit is mulled directly to another. Radius and straight pieces are available only in unfinished wood. Square or rounded edges are available.

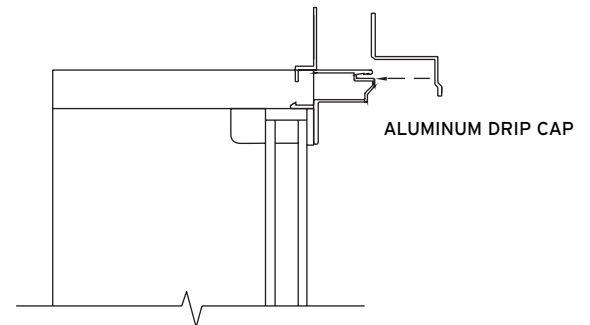
**Note** In most cases, window installers use the mulling materials provided by the manufacturer of the unit that a New Morning window is mulling directly to. If you need us to provide this material, you must specify it during the quote and order process.

**Wood Jamb Extensions** Extends an existing window jamb to your required depth. Radius and straight pieces are available only in unfinished wood. Tongue-and-groove construction is not available.

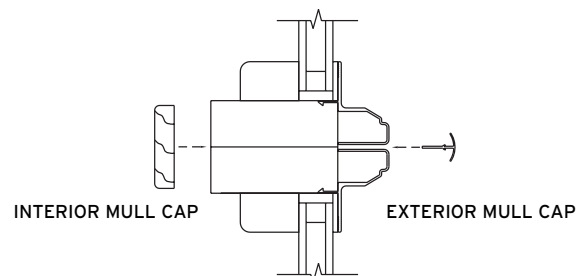
**Wood Exterior Trim** Provides a decorative touch around the perimeter of the window frame. Radius and straight pieces are available. Finishing options include unfinished, factory primed or a Sherwin Williams® Duration painted finish. Minimum inside radius for non-profiled trim is 6". Profiled trim has an 8" minimum radius.



ALUMINUM BRICKMOLD

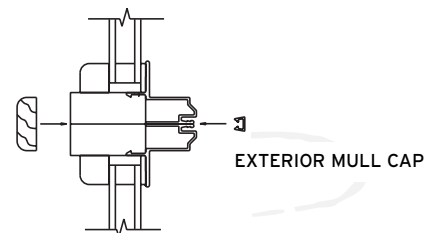


ALUMINUM DRIP CAP

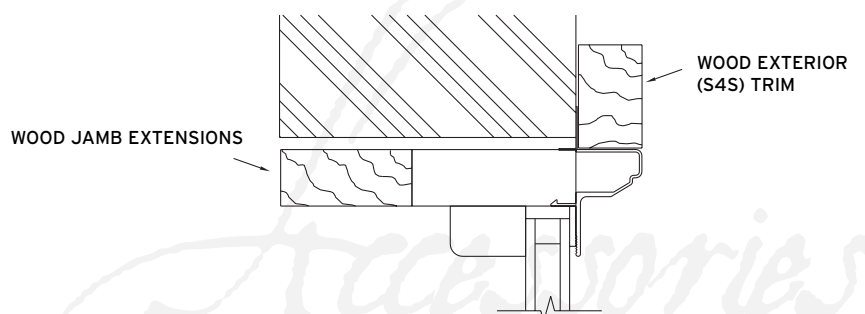


INTERIOR MULL CAP

EXTERIOR MULL CAP



EXTERIOR MULL CAP



WOOD JAMB EXTENSIONS

WOOD EXTERIOR (S4S) TRIM